



HEAT EXCHANGERS
SPIRAL PLATE - BARE OR PREASSEMBLED
Stainless steel or Titanium

Climexel
HEAT EXCHANGERS by PROCOPI



Climexel
HEAT EXCHANGERS by PROCOPI

INNOVATIVE, HIGH PERFORMANCE DESIGN!

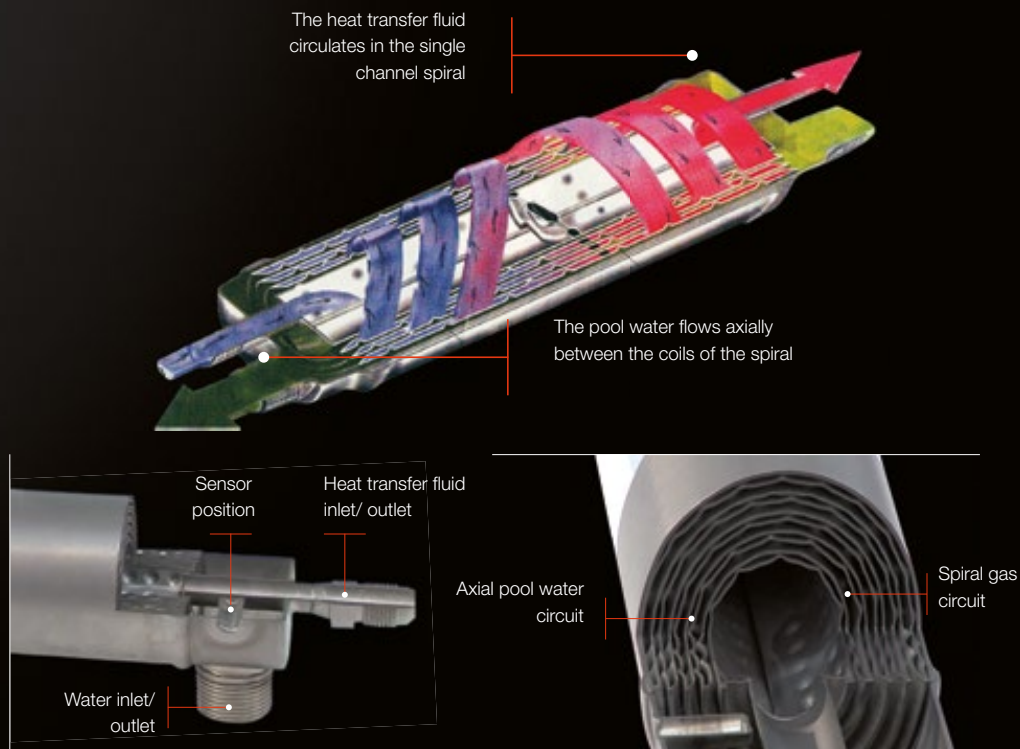
Climixel heat exchangers are designed to be mounted on a boiler or heat pump bypass loop. They are available 'as is', or housed in an innovative casing.

The spiral plate heat exchanger is made of titanium, a non degradable, unreactive material. Its large surface area provides an excellent yield. In the housed version, all the elements required for the heat exchanger to run correctly are preassembled such that it may be mounted directly on the filtration circuit.

WHAT IS A HEAT EXCHANGER?

A heat exchanger is a circuit that allows the transmission of heat from a hot body to a cold body. Depending on its configuration, a heat exchanger can serve a heating or cooling function.

The larger the surface area, the better the yield. For this reason, Procopi fits its heat pumps with spiral plate exchangers that offer a much larger heat exchange surface area than tube exchangers.



STAINLESS STEEL OR TITANIUM SPIRAL PLATE HEAT EXCHANGERS



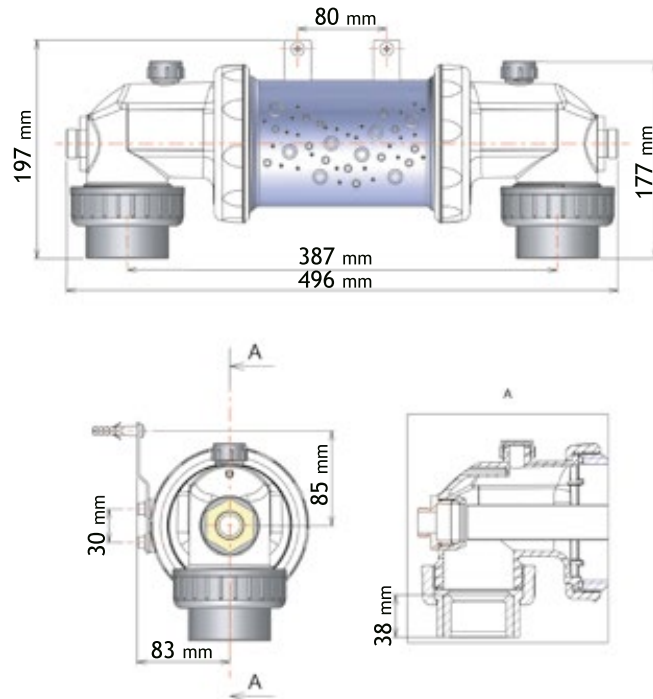
STAINLESS STEEL SPIRAL PLATE CLIMEXEL® HEAT EXCHANGERS

- The body of the Climexel heat exchanger is made of fibreglass loaded polypropylene. The exchanger itself is made of 316 L stainless steel shaped into a spiral plate. A stainless steel exchanger plate is particularly recommended if the temperature of the primary circuit is low (heat pump). The table opposite will assist in the selection of the appropriate heat exchanger based on the temperature in the primary loop.
- Right angled connections to the secondary circuit facilitate mounting in bypass.
- The heat exchanger features two temperature sensor thermowells, one at the inlet and one at the outlet, to allow inversion of the water flow through the exchanger.
- Stainless steel heat exchangers are not compatible with water treatment by salt water electrolysis.

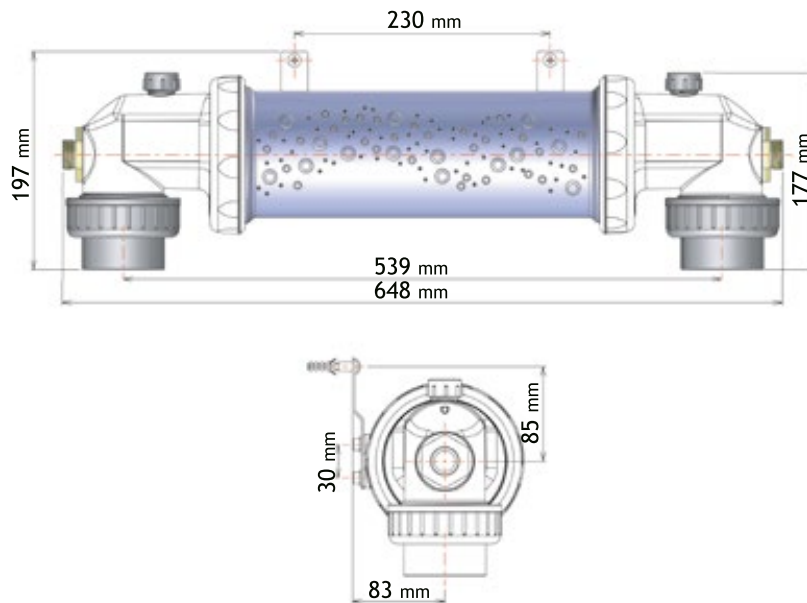
TITANIUM SPIRAL PLATE CLIMEXEL® HEAT EXCHANGERS

- Shares the same technical features as the stainless steel version except that the spiral plate heat exchanger itself is made of titanium.
- Use the table opposite to select the correct heat exchanger model based on the temperature in the primary circuit.

■ Model ET-NU MK-1 and MK-2



■ Model ET-NU MK-3 and MK-4



MODEL	FLOWRATE, M ³ /H		Power output (kW), based on the primary temperatures shown below					
	Primary	Secondary	45°C	50°C	60°C	70°C	80°C	90°C
MK-1	0.72	4.50	8	9	14	18	22	27
MK-2	1.20	5	12	15	22	29	37	43
MK-3	1.74	6.50	17	20	29	38	48	58
MK-4	1.80	11	27	33	49	63	79	95

The power output indicated above is valid for a secondary (pool water) circuit temperature of 25°C.

PREASSEMBLED STAINLESS STEEL OR TITANIUM HEAT EXCHANGERS

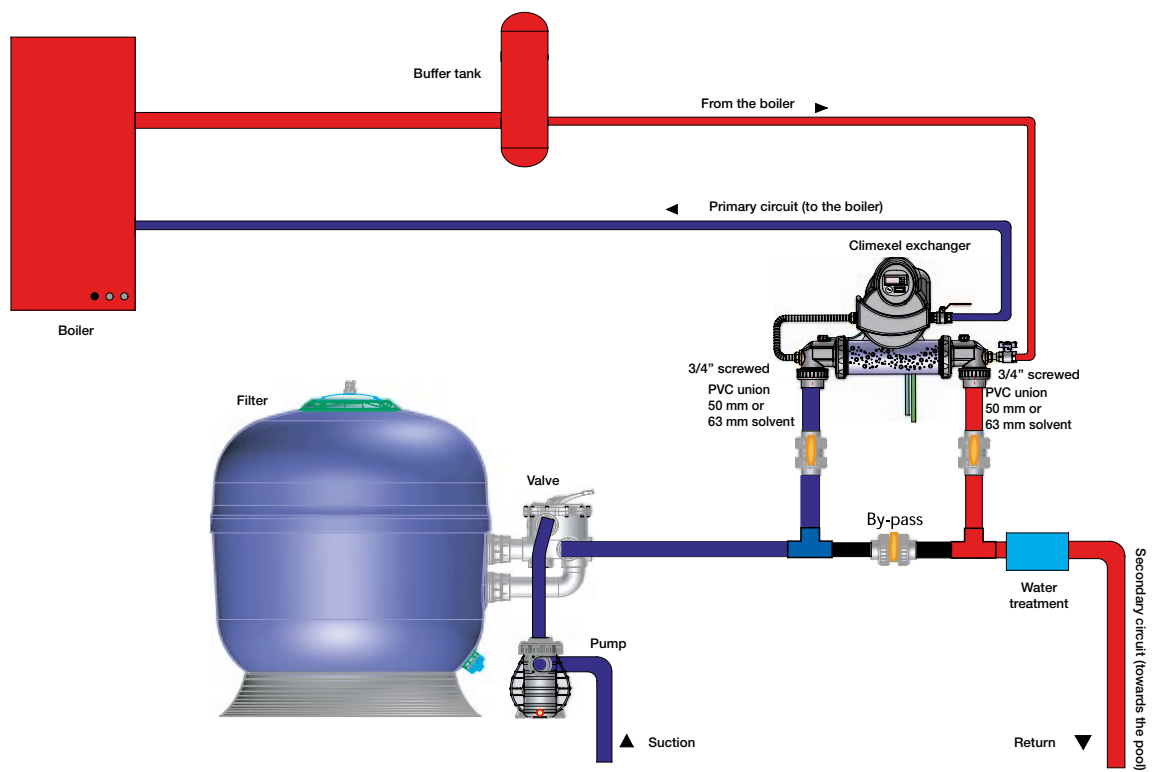


PREASSEMBLED STAINLESS STEEL CLIMIXEL® HEAT EXCHANGERS

- A stainless steel, spiral plate heat exchanger,
- A precision aquastat with digital display of the water temperature and the set point,
- A primary loop circulation pump,
- Two isolation valves on the primary circuit, one fitted with an anti-thermosyphon check valve,
- A drain,
- All the cables and electrical components necessary for the system to operate correctly.
- Stainless steel heat exchangers are not compatible with water treatment by salt water electrolysis.

PREASSEMBLED TITANIUM CLIMIXEL® HEAT EXCHANGERS

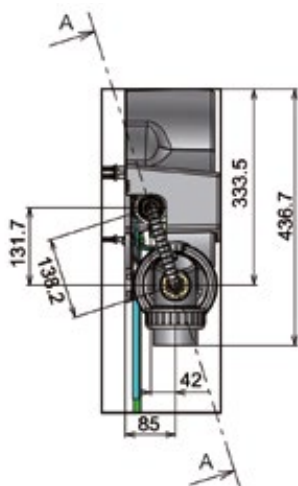
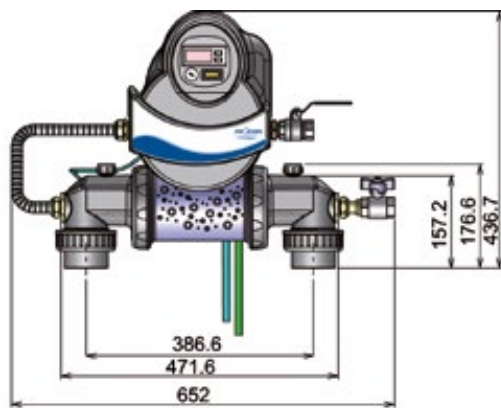
- A titanium, spiral plate heat exchanger,
- A precision aquastat with digital display of the water temperature and the set point,
- A primary loop circulation pump,
- Two isolation valves on the primary circuit, one fitted with an anti-thermosyphon check valve,
- A drain,
- All the cables and electrical components necessary for the system to operate correctly.



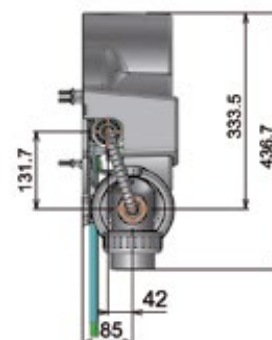
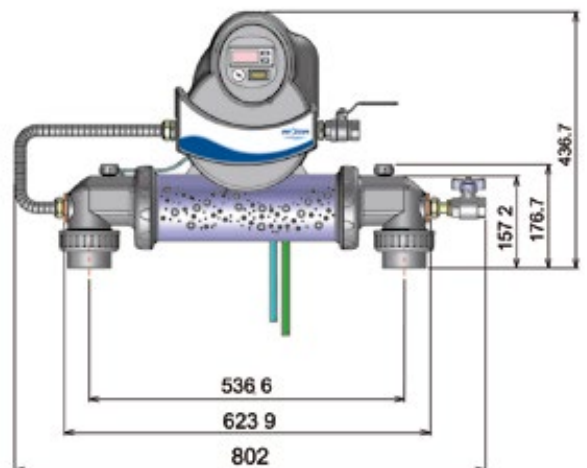
The heat exchangers are originally designed so that pool water flows through from left to right. Water from the boiler enters from the left and leaves through an outlet beneath the exchanger on the same side. The temperature sensor is lodged in a thermowell on the left-hand side of the exchanger (pool water inlet).

To invert the pool water flow through the exchanger, do the following:

- Unscrew the 2 barrel unions on the circulator, rotate the circulator 180° and remount the unions,
- Remove the temperature sensor from the thermowell on the left and insert it into the thermowell on the right hand side of the heat exchanger.



■ Model EC-NA MK-1 and MK-2



■ Model EC-NA MK-3 and MK-4

Climexel

HEAT EXCHANGERS by PROCOPI

GUARANTEE

Climexel titanium heat exchangers are covered by a 5 year guarantee.

Climexel stainless steel heat exchangers are covered by a 2 year guarantee.

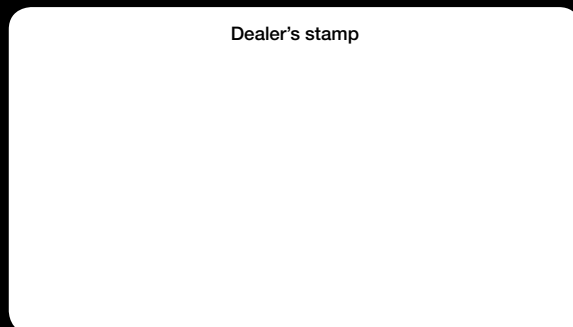


REMEMBER!

Procopi offers its clients an exclusive software tool, free of charge, designed to generate **HEATING** and dehumidification surveys.

This tool is available for download from procopi.com and on our DVD-Rom AquaSoft.

Dealer's stamp



PROCOPI.COM

PROCOPI
Pool & Spa Equipment

12132 - Non-contractual document.

Data is provided for information purposes only, and may be subject to modification without prior modification. Copyright protected. Created by: Talky & Walky (07/2013a).